

VISOR® V10 Allround Color

Allround vision sensor for complex inspection tasks, 25 mm



CE

IP 67

UL US LISTED

PROFINET

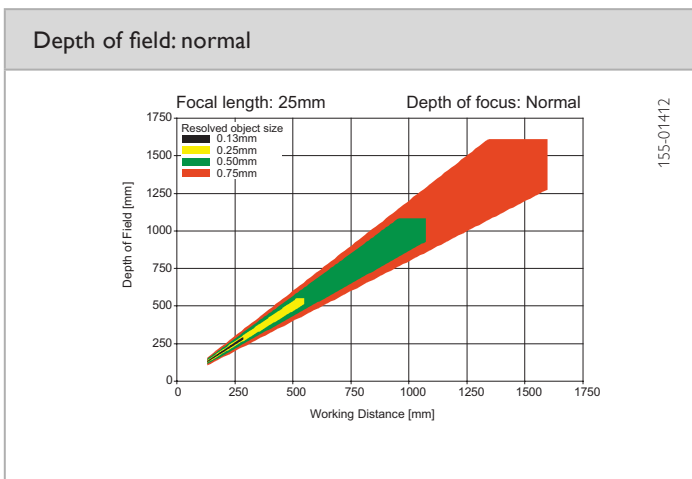
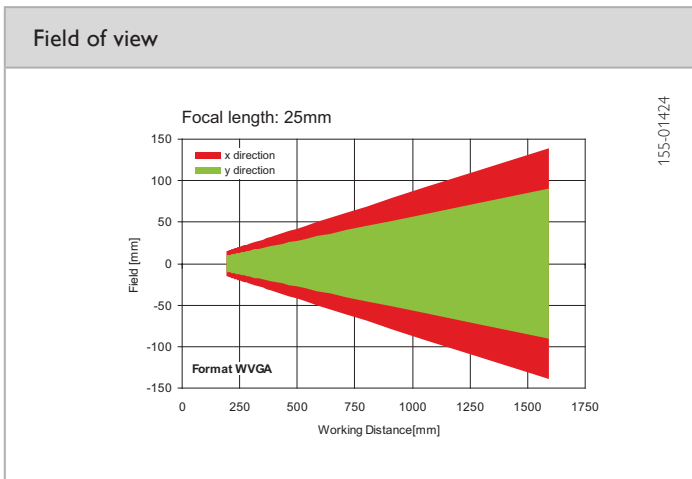
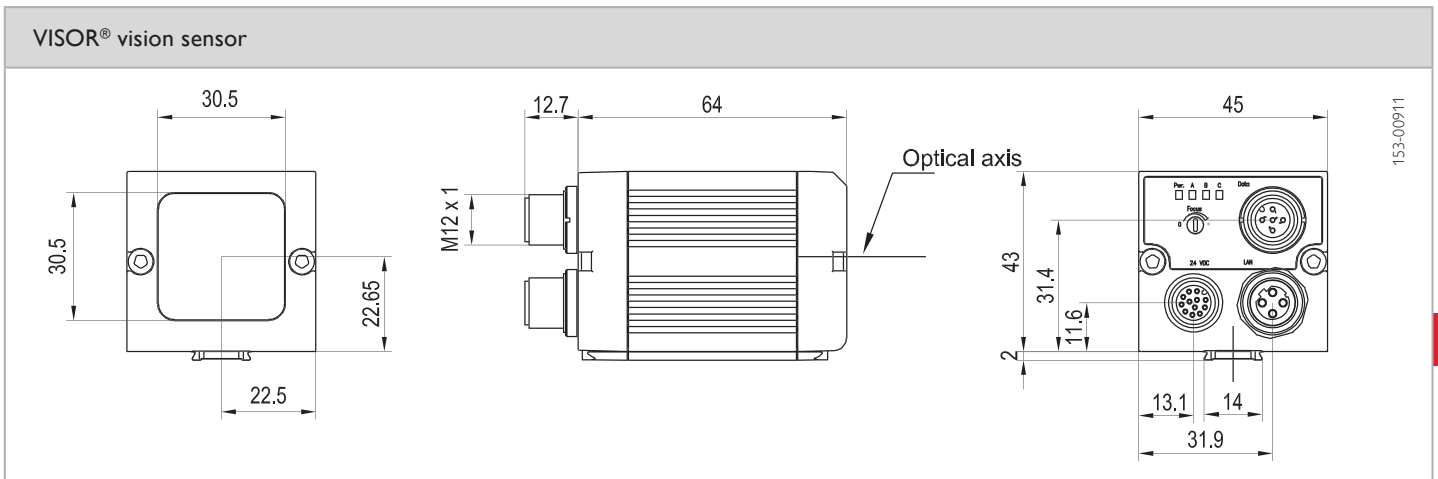
EtherNet/IP

PRODUCT HIGHLIGHTS

- All evaluations ("Detectors") of object sensor and code reader united in one device
- Real-world engineering units and robot coordinates at a mouse click
- Precise position determination: X/Y-position and orientation
- Can be used for all common 2D-Codes (ECC 200-Data-matrix) and common 1D-bar codes
- User-friendly configuration and viewer software with graded user rights and online help

Optical data		Functions	
Resolution	736 x 480 pixels	Number of jobs / detectors	max. 255 / max. 255
CMOS	1/3", colour	Detectors	Contour; pattern comparison, calliper, BLOB, contrast, brightness, grey level, data code, bar code, OCR, colour list, colour area, colour value
Integrated lens, focal length	25 mm, adjustable focal position	Properties	Position tracking: X/Y and orientation; pattern comparison / contour: teach-in and detection of patterns and contours; calliper: distance between edges; BLOB; grey threshold, brightness: evaluation of brightness; contrast: evaluation of contrast; colour value: output of colour values; colour area: two-dimensional colour inspection with adjustable tolerance; colour list: detecting the most similar colours; bar code: reading 1D bar codes, EAN, UPC, RSS, 2/5 Interleaved, 2/5 Industrial, code 32, code 39, code 93, code 128, GS1, pharm code, codabar; data code: reading 2D codes: ECC200, QR code, PDF 417; OCR
Adjustment range	140 mm to infinity	Typical cycle times	Typ. 20 ms pattern comparison; typ. 30 ms contour; typ. 8 ms calliper; typ. 30 ms BLOB; typ. 2 ms brightness; typ. 2 ms contrast; typ. 2 ms grey threshold; typ. 2 ms colour value; typ. 30 ms colour area; typ. 2 ms colour list; typ. 30 ms bar code; typ. 40 ms data code; typ. 15 ms per character OCR
Integrated illumination	White LEDs		
Minimum field of view, X x Y	18 x 14 mm ²		
Electrical data		Mechanical data	
Operating voltage, +U _B	18 ... 26.4V DC ¹	Dimensions	65 x 45 x 45 mm (without plug)
Current consumption (without illumination and I/O)	≤ 120 mA	Enclosure rating	IP 67
Current consumption (without I/O)	≤ 200 mA	Material, housing	Aluminium, plastic
Protective circuits	Reverse-polarity protection, U _B / short-circuit protection of all outputs	Material, front screen	Plastic
Power On Delay	Ca. 13 s after Power on	Ambient temperature: operation	0 ... +50 °C ²
Outputs	PNP / NPN (switchable)	Ambient temperature: storage	-20 ... +60 °C ²
Max. output current (per output)	50 mA, 100 mA (pin 12)	Weight	Ca. 160 g
Inputs	PNP/NPN High > U _B -1 V, Low < 3 V	Plug connections	Supply and I/O M12, 12-pin Ethernet M12, 4-pin Data M12, 5-pin
Input resistance	> 20 kOhm	Vibration and impact resistance	EN 60947-5-2
Encoder input	High > 4V		
Interfaces	Ethernet (LAN), RS422, RS232, EtherNet/IP, PROFINET, SensoWeb		
Inputs/outputs	2 inputs, 4 outputs, 4 selectable inputs/outputs		

¹ Max. ripple < 5V_{SS} ² 80 % air humidity, non-condensing



illumination	Part number	Article number
White	V10C-ALL-A2-W25	535-91104

Accessories	
Connection cables	From Page A-38
Illumination	From Page A-30
Brackets	From Page A-14
Interface accessories	From Page A-42